

06020SA (2408SB)

60[□]X20^L

DC Axial Fan Ball Bearing



General Specifications

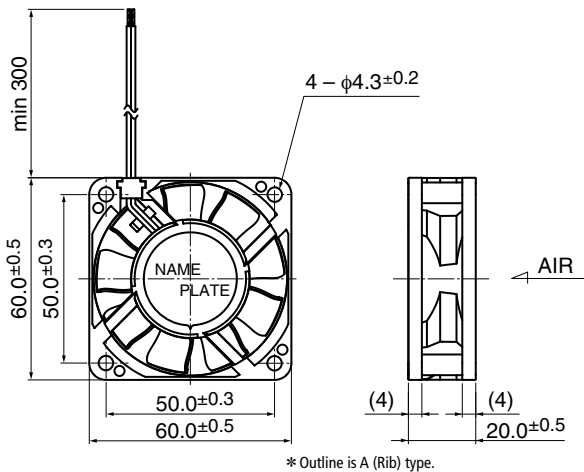
- Motor Protection : Auto Restart / Polarity Protection
- Insulation Resistance : 10MΩ or over with a DC500V Megger
- Dielectric Withstand Voltage : AC700V 1s
- Allowable Ambient : -10°C ~ +70°C (Operating)
- Temperature Range : -40°C ~ +70°C (Storage)
- non-condensing environment

Expected Life

※ Failure Rate: 10% (L10 Life)

60°C 40,000 (Hours)

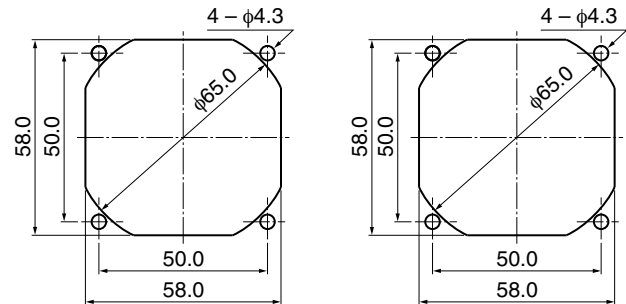
Outline



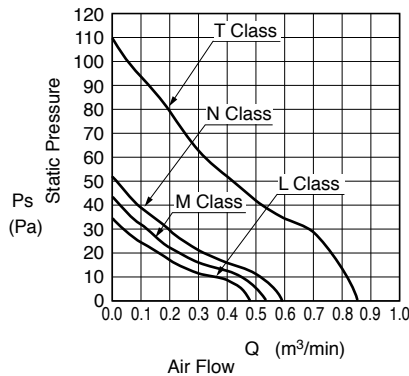
Panel Out-cuts

(Inlet Side)

(Outlet Side)



Characteristic Curves



Material

- Casing : Plastic (Black) UL94V-0
- Impeller : Plastic (Black) UL94V-0
- Bearing : Ball Bearing
- Lead Wire : UL3385 AWG26 + : Red, - : Black

Specifications

□ = Casing Form --- A: Rib Type, E: Flange Type

Model	Product No.	Rating Voltage	Operating Voltage	Current	Input Power	Speed	Max. Air Flow	Max. Static Pressure	Noise	Mass
		(V)	(V)	(A)*1	(W)*1	(min ⁻¹)*1	(m ³ /min)*1 (CFM)*1	(Pa)*1 (In H ₂ O)*1	(dB)*1	(g)
06020SA-12L-□A-	00	12	6.0 ~ 13.8	0.06	0.72	3600	0.47	16.6	0.14	26.0
06020SA-12M-□A-	00			0.08	0.96	4000	0.52	18.4	0.17	28.5
06020SA-12N-□A-	00			0.09	1.08	4400	0.58	20.5	0.21	30.5
06020SA-12T-□A-	00			0.24	2.88	6400	0.86	30.4	0.44	42.5
06020SA-24L-□A-	00	24	9.0 ~ 27.6	0.05	1.20	3600	0.47	16.6	0.14	26.0
06020SA-24M-□A-	00			0.06	1.44	4000	0.52	18.4	0.16	28.5
06020SA-24N-□A-	00			0.07	1.68	4400	0.58	20.5	0.20	30.5

Rotation: Clockwise as seen from the label side
Airflow Outlet: Label side

*1: Average Values in Free Air